



## PROJECT DETAILS :

NEW CONSTRUCTION

REMODEL; HOME IS \_\_\_\_ YRS OLD

---

My project will include:

- MOSTLY REDECORATING
  - NEW APPLIANCES
  - NEW CABINETS
  - NEW COUNTERS & FLOORING
  - STRUCTURAL CHANGES
- 

WHEN ARE YOU PLANNING TO BEGIN? \_\_\_\_

WHAT IS YOUR ANTICIPATED BUDGET?

- Under \$1000       \$1000 - \$5000
  - \$5,000 - \$10,000       \$15,000 - \$25,000
- 

## Personal Survey

Please complete this sentence: **"I want this space to be..."**

- Pleasing to the eye.
- Efficient.
- Family friendly.
- Balanced (visual symmetry is a priority).
- Budget conscious.

## KITCHEN ACTIVITIES :

- HOMEWORK AREA       BAKING
  - LAUNDRY       CANNING
  - WINE COOLER       HOBBIES
  - DESK AREA      OTHER \_\_\_\_\_
- 

## PLANNING FOR OPTIONS IN YOUR NEW KITCHEN :

Which of these options would you like to see in your new kitchen?

- Appliance garage       Lazy Susan
- Roll out trays       Spice rack/trays
- Pull out pantry       Stem glass holder
- Doors prepped for glass inserts
- Trash pull-outs       Wine rack
- Cutlery tray inserts       Tip out trays @sinks
- Other \_\_\_\_\_



## CABINETRY

DOOR STYLE \_\_\_\_\_

WOOD SPECIES:  MAPLE     BEECH  
 KNOTTY BEECH     POPLAR

FINISH/STAIN COLOR \_\_\_\_\_

DRAWER GLIDES:  FULL EXTENSION  
 SOFT CLOSE     STANDARD

BOX CONSTRUCTION:  ALL WOOD  
 PARTICLE BOARD  FRAMELESS  
(EUROPEAN STYLE)

## Other design elements to consider:

1. Are there any special design features or requirements that need to be incorporated? \_\_\_\_\_

2. Eating area in the kitchen?  
 At an island     kitchen table  
 Both

3. How many in the household? \_\_\_\_\_

4. Children's ages? \_\_\_\_\_

## Measuring your Space...

1. Start by measuring each wall of the room & recording the inside dimensions. Measure at the floor then again in the center of the wall and at the ceiling; this will ensure square accuracy of the room.

2. Locate the centerline of the sink & record that onto your drawing; indicate water supply, natural gas supply, or 220-volt locations.

3. Next, measure each wall individually, recording all critical measurements to include all the obstacles and their location (outlets, switches, lights, cables, doors, windows, etc.).

4. Measure the height of the window sill, height and width of the window and doors, & the height of the ceiling and soffits.

(USE THE ATTACHED CHARTS TO RECORD YOUR MEASUREMENTS.)



## STRUCTURAL MEASUREMENTS

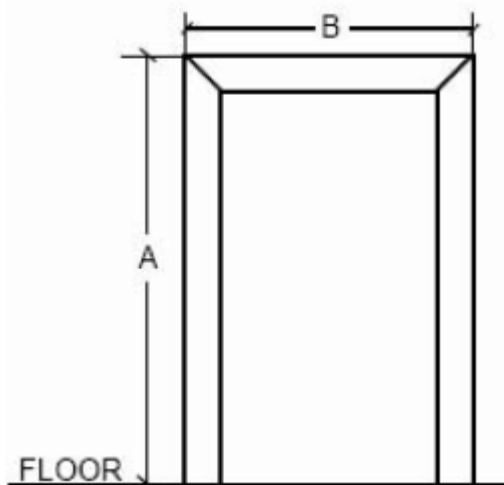
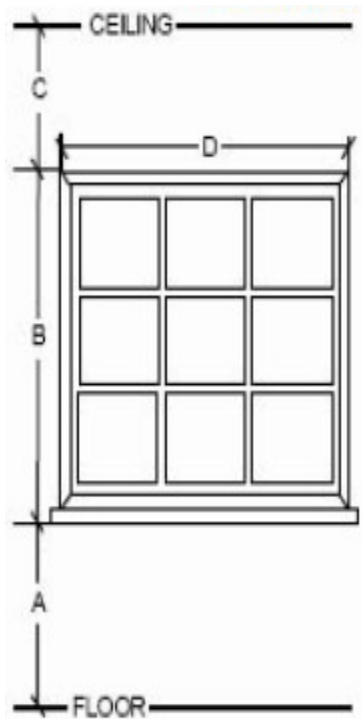
### Windows

Measure each window in the kitchen and record below. All measurements should be from the outside edge of the trim. If window treatments are to be used they will be \_\_\_ inside or \_\_\_ outside mount.

(Allow 3" on each side of the window for outside mount window treatments.)

*Record all measurements in inches.*

| WINDOW | A | B | C | D |
|--------|---|---|---|---|
|        |   |   |   |   |
|        |   |   |   |   |
|        |   |   |   |   |
|        |   |   |   |   |



### DOORS

Measure each door in the kitchen and record below. All measurements should be from the outside edge of the trim. If the patio doors are to have draperies or blinds they will be: \_\_\_ inside or \_\_\_ outside mount.

| Door | A | B | Hinge | Swing |
|------|---|---|-------|-------|
|      |   |   |       |       |



|  |  |  | (L/R) | (In/Out) |
|--|--|--|-------|----------|
|  |  |  |       |          |
|  |  |  |       |          |
|  |  |  |       |          |
|  |  |  |       |          |

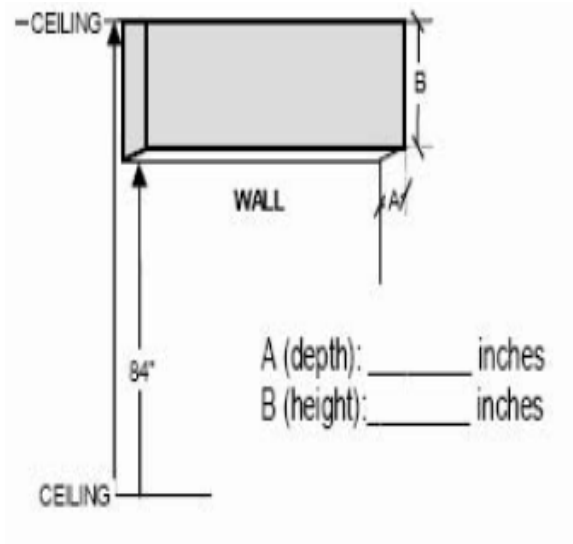
## ROOM DETAILS:

Record all measurements in inches

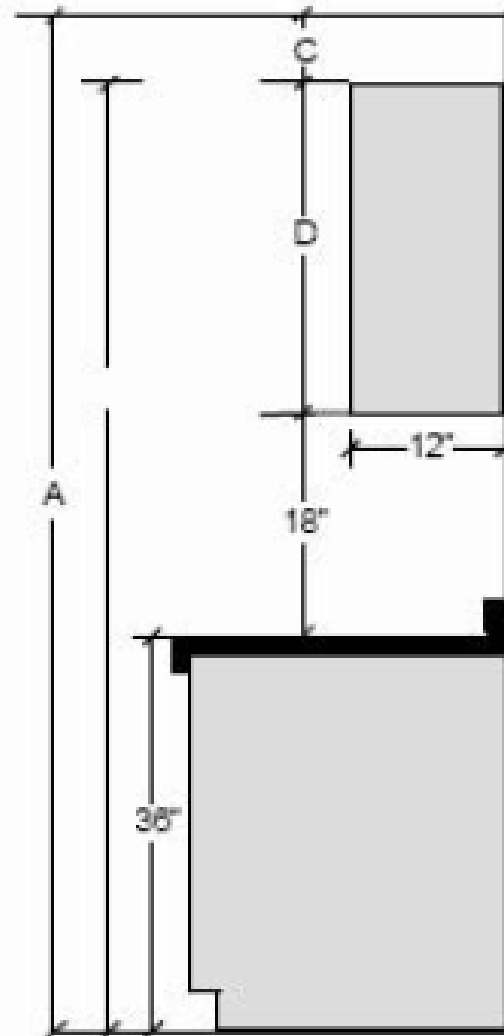
- \_\_\_ A: Ceiling Height
- \_\_\_ B: Cabinet Height
- \_\_\_ C: Soffit (Depth and Height)
- \_\_\_ D: Wall Cabinet Height

## SOFFIT

A soffit is the bulkhead between the ceiling and the top of the cabinets. Distance from the floor to the soffit should be at least 84". Allow 1/4" more if you install an 84" tall cabinet. Soffit depth may vary, however normal depth is 13" or 1" deeper than a wall cabinet. Note: Check the soffit height and depth to ensure the cabinets do not extend beyond the existing soffits.



See diagram below:





## APPLIANCE AND FIXTURES

Utilize this chart to record the measurements and information concerning your appliances and fixtures. Share this information with your designer to ensure everything will be incorporated into your new kitchen plan.

| Range\Cook top Units | HIGH        | DEEP | WIDE |
|----------------------|-------------|------|------|
|                      | Make/Model# |      |      |
| Free Standing        |             |      |      |
| Built in Range       |             |      |      |
| Down-Draft Cook top  |             |      |      |
| Built in Cook top    |             |      |      |
| Notes:               |             |      |      |

| Hood Units             | HIGH        | DEEP | WIDE |
|------------------------|-------------|------|------|
|                        | Make/Model# |      |      |
| Ductless Hood          |             |      |      |
| Hood ducted to outside |             |      |      |
| Notes:                 |             |      |      |

| Built In Ovens | HIGH        | DEEP | WIDE |
|----------------|-------------|------|------|
|                | Make/Model# |      |      |
| Built In       |             |      |      |
| Free Standing  |             |      |      |
| Space Maker    |             |      |      |
| Notes:         |             |      |      |

| Microwave Units | HIGH        | DEEP | WIDE |
|-----------------|-------------|------|------|
|                 | Make/Model# |      |      |
| Built In        |             |      |      |
| Free Standing   |             |      |      |
| Space maker     |             |      |      |
| Notes:          |             |      |      |

| Wine Cooler | HIGH        | DEEP | WIDE |
|-------------|-------------|------|------|
|             | Make/Model# |      |      |
| Notes:      |             |      |      |

| Refrigerators        | HIGH        | DEEP | WIDE |
|----------------------|-------------|------|------|
|                      | Make/Model# |      |      |
| Top mount freezer    |             |      |      |
| Bottom mount freezer |             |      |      |
| Side by Side         |             |      |      |
| Full Door            |             |      |      |
| Ice Maker            |             |      |      |
| Notes:               |             |      |      |

# Master Wood Craft

CABINETRY LLC



| Sink  | HIGH        | DEEP | WIDE |
|---|-------------|------|------|
|   | Make/Model# |      |      |
| Single Bowl   |             |      |      |
| Double Bowl   |             |      |      |
| L Shaped corner   |             |      |      |
| Apron Front   |             |      |      |
| Prep Sink   |             |      |      |
| Water Filter : _____<br>Disposal : _____<br>Hot Water Dispenser : _____ |             |      |      |
| Notes:  |             |      |      |

| Dishwasher | HIGH        | DEEP | WIDE |
|------------|-------------|------|------|
|            | Make/Model# |      |      |
| Notes:     |             |      |      |

| Trash Compactor | HIGH        | DEEP | WIDE |
|-----------------|-------------|------|------|
|                 | Make/Model# |      |      |
| Notes:          |             |      |      |

# Master Wood Craft

CABINETRY LLC



Customer Name:

\_\_\_\_\_

Address:

\_\_\_\_\_  
\_\_\_\_\_  
\_\_\_\_\_

Home Phone:

\_\_\_\_\_

Cell Phone:

\_\_\_\_\_

E-mail

\_\_\_\_\_